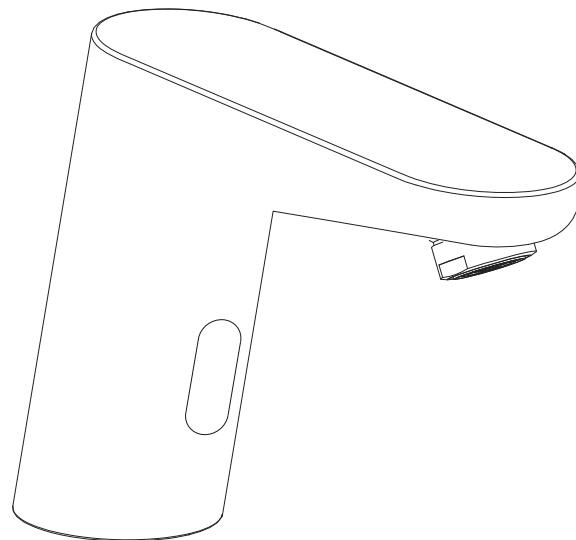




# INSTALLATION INSTRUCTIONS

**ELITE TAP WARE BENCH MOUNTED**  
**6 Star WELS Rated**  
**ET2-30.4**



**Thank you for purchasing this Enviro-Tech product**



# INSTALLATION INSTRUCTIONS ELITE TAP WARE BENCH MOUNTED

We strongly recommend that you use a qualified and registered plumber and electrician.

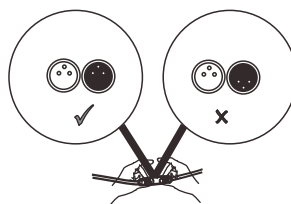
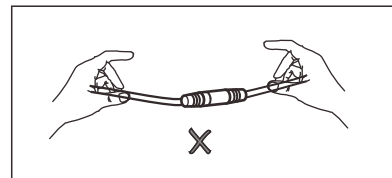
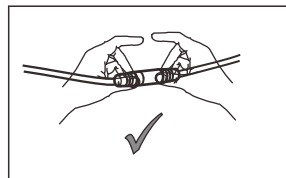
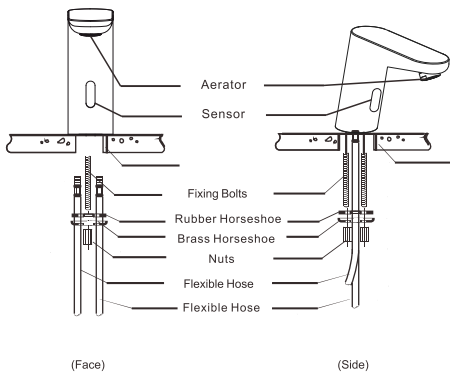
Note: Always flush pipe work before installation.

Note: If using DC (battery only) we recomend installing long life batteries. (back up only batteries are supplied)

## TECHNICAL SPECIFICATION

Function	Elite Tap ware Bench Mounted
Power Input	DC:6V(4x1,5V AA alkaline battery) AC:220-240V (50/60 Hz)
Power consumption	<0.3MW
Water Pressure	100kPa-500kPa
Inlet/outlet Diameter	15mm ½ G
Detection zone	Self adjusting
Confirmation time	1 second
Low power consumption	4 AA alkaline batteries

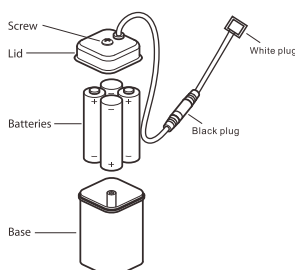
## TAP PARTS



### Attention:

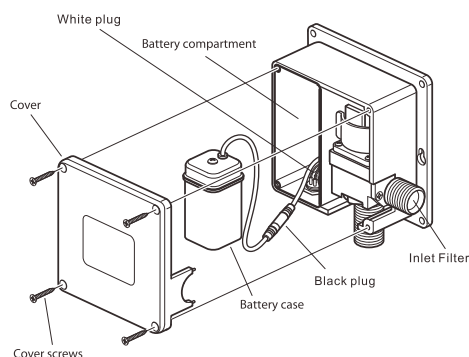
Hold the plug not the wire to connect and dis-connect and make sure the pins align to the holes in the right position.

## BATTERY INSTALLATION

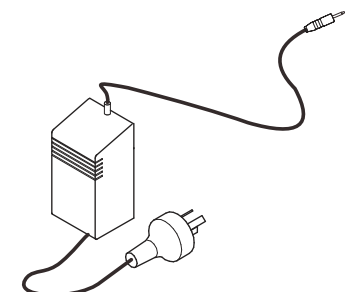


**WARNING:**  
Carefully unplug the black battery plugs, if the battery box cable is pulled the main power white plug can be pulled out from the control box. This will result in the control box not functioning.

## CONTROL BOX PARTS

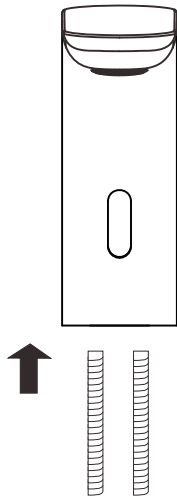


## TRANSFORMER



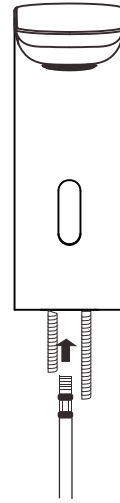
(Transformer Purchased Separately)

1



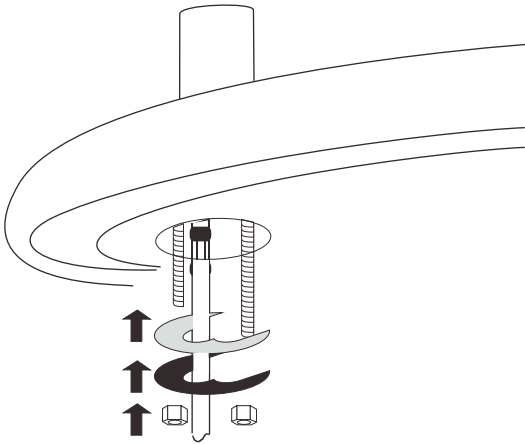
Screw threads into base of tap.

2



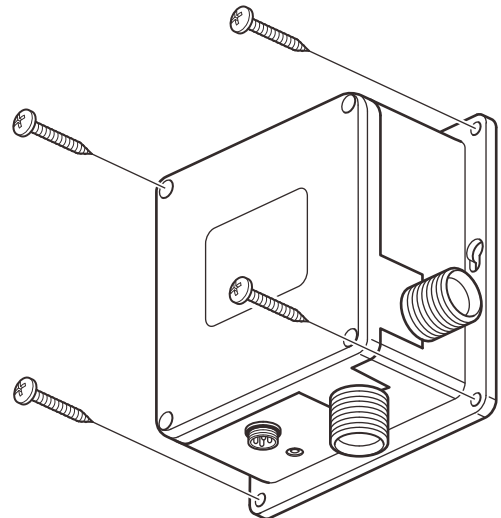
Screw hose into base of tap.

3



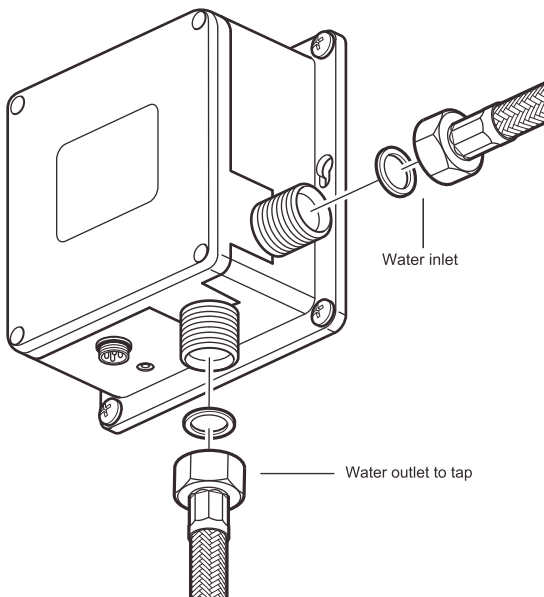
Put rubber washer and fixing plate on to threads and tighten nuts.(do not over tighten as may damage bench)

4



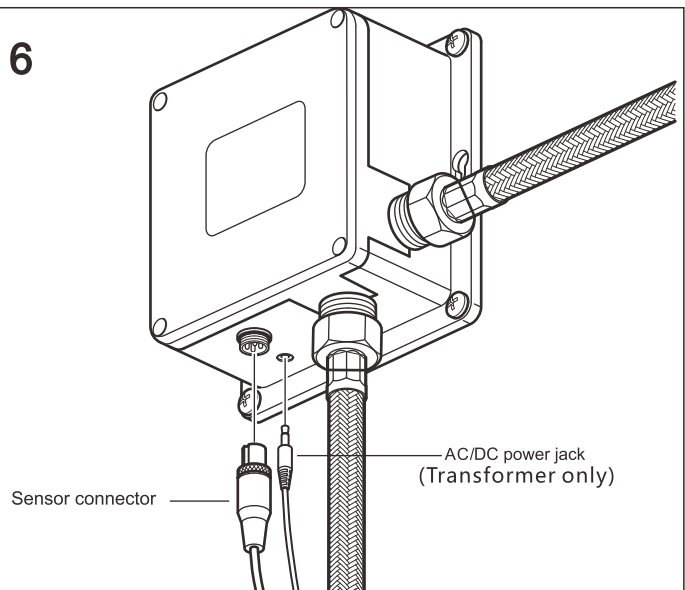
Screw control box in a suitable position under the basin making sure flexihose and control cable can reach.

5



Make sure that the rubber washers are in place in the flexihoses.

6



Hold the plug not the wire to connect and dis-connect.

# TROUBLE SHOOTING

No water out	The battery has run out of power Water supply turned off Dirt in the filter Water pressure to low	Change the battery Check Supply Clean the filter Raise the pressure
Water will not turn off	Dirt on the sensor window	Clean the sensor
Too little water flow	Water supply is turned down The filter is too dirty Water pressure is too low	Adjust water supply Clean the filter Raise the pressure
Too much water flow	Water pressure is too high	Adjust pressure
Short cycles of battery	Incorrect batteries	Change to 4AA Alkaline batteries
The indicator light is not on	The light is broken The circuit board is wet or signal line is wet The battery is exhausted Poor connection of battery	Change the light or circuit board Dry out Change the battery Check battery connections
Flashing sensor light	Battery running low	Replace battery
Inlet filter cleaning	Control box has a filter on the inlet	Remove filter and wash out any obstructions

## AFTERCARE

Whilst advanced plating techniques are used in the manufacture of this product, the surface will be affected if cleaned incorrectly.

Surfaces should be maintained using a clean damp cloth, no abrasive agents or materials should be used or come into contact with the surface finish, or this will invalidate your guarantee.

Please contact manufacturer if required

Australia: 1300 530 883

New Zealand: 0800 2 ENVIRO

This Enviro-Tech elite tap ware is manufactured strictly to adhere to the ISO9001 standard, WaterMark certification and WELS standards.

Enviro-tech has the right of updating the product technology.