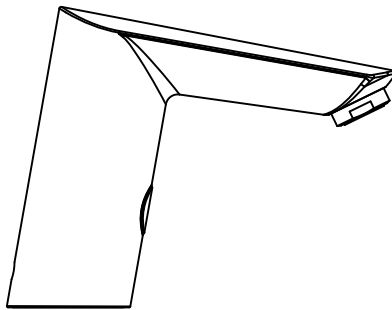




INSTALLATION INSTRUCTIONS

**Elite Tap Ware Basin Mounted Mixer Tap
6 Star WELS Rated
ET2-56**



Thank you for purchasing this Enviro-Tech product



INSTALLATION INSTRUCTIONS ELITE TAP WARE BENCH MOUNTED

We strongly recommend that you use a qualified and registered plumber and electrician.

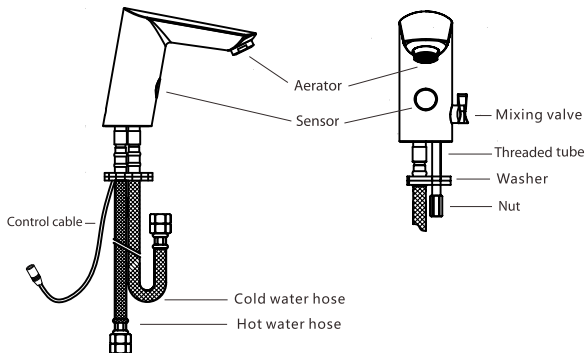
Note: Always flush pipe work before installation.

Note: If using DC (battery only) we recommend installing long life batteries. (back up only batteries are supplied)

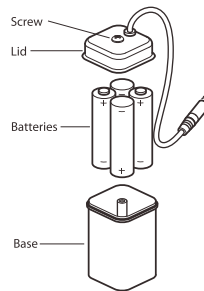
TECHNICAL SPECIFICATION

Function	Elite Tap ware Bench Mounted
Power Input	DC:6V(4x1,5V AA alkaline battery) AC:220-240V (50/60 Hz)
Power consumption	<0.3MW
Water Pressure	150kPa-500kPa
Inlet/outlet Diameter	15mm ½ G
Detection zone	Self adjusting
Confirmation time	1 second
Low power consumption	4 AA alkaline batteries

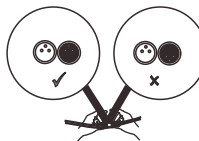
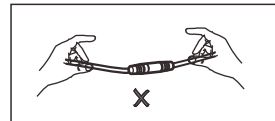
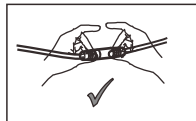
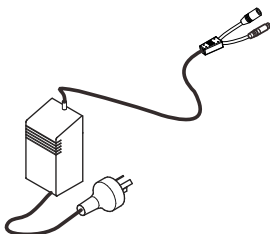
TAP PARTS



BATTERY INSTALLATION



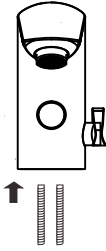
TRANSFORMER



Attention:

Hold the plug not the wire to connect and dis-connect and make sure the pins align to the holes in the right position.

1



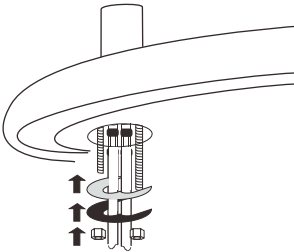
Screw in fixing threads.

2



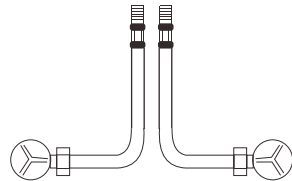
Connect flexi hoses to tap.

3



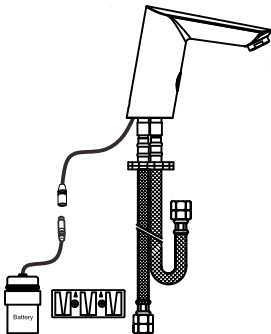
Place through hole in basin. Secure to basin as shown.

4



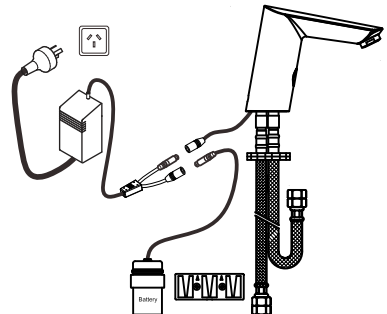
Connect correct flexi hoses (as marked) to hot and cold feeds.

5



DC Battery Only: Fix bracket to wall and connect battery box to control cable.

6



AC/DC Transformer with battery back up: Fix bracket to wall and connect battery box to transformer plug then connect other transformer plug to tap control cable. Plug into socket.

TROUBLE SHOOTING

No water out	The batter is exhausted Water supply cut off Dirt in the filter Water pressure to low	Change the battery Check Supply Clean the filter Raise the pressure
Water will not turn off	Dirt on the sensor window	Clean the sensor
Too little water flow	Water supply is turned down The filter is too dirty Water pressure is too low	Adjust water supply Clean the filter Raise the pressure
Too much water flow	Water pressure is too high	Adjust pressure
Short cycles of battery	Incorrect batteries	Change to 4AA Alkaline batteries
The indicator light is not on	The light is broken The circuit board is wet or signal line is wet The battery is exhausted Poor connection of battery	Change the light or circuit board Dry out Change the battery Check battery connections
Flashing sensor light	Battery running low	Replace battery
Inlet filter cleaning	With this model the filter is in each of the flexihoses where it connects to the angle valve	Remove filter and wash out any obstructions

AFTERCARE

Whilst advanced plating techniques are used in the manufacture of this product, the surface will be affected if cleaned incorrectly. Surfaces should be maintained using a clean damp cloth, no abrasive agents or materials should be used or come into contact with the surface finish, or this will invalidate your guarantee

Please contact manufacturer if required
Australia: 1300 530 883
New Zealand: 0800 2 ENVIRO

This Enviro-Tech elite tap ware is manufactured strictly to adhere to the ISO9001 standard, WaterMark certification and WELS standards. Enviro-tech has the right of updating the product technology