



INSTALLATION INSTRUCTIONS

ELITE KITCHEN MIXER BENCH MOUNTED

5 Star WELS Rated

ET2-KM



Thank you for purchasing this Enviro-Tech product



INSTALLATION INSTRUCTIONS ELITE TAP WARE BENCH MOUNTED

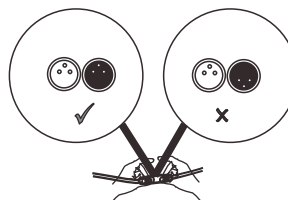
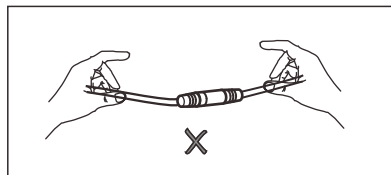
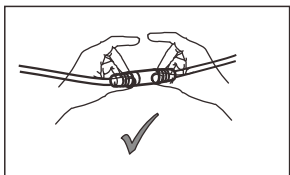
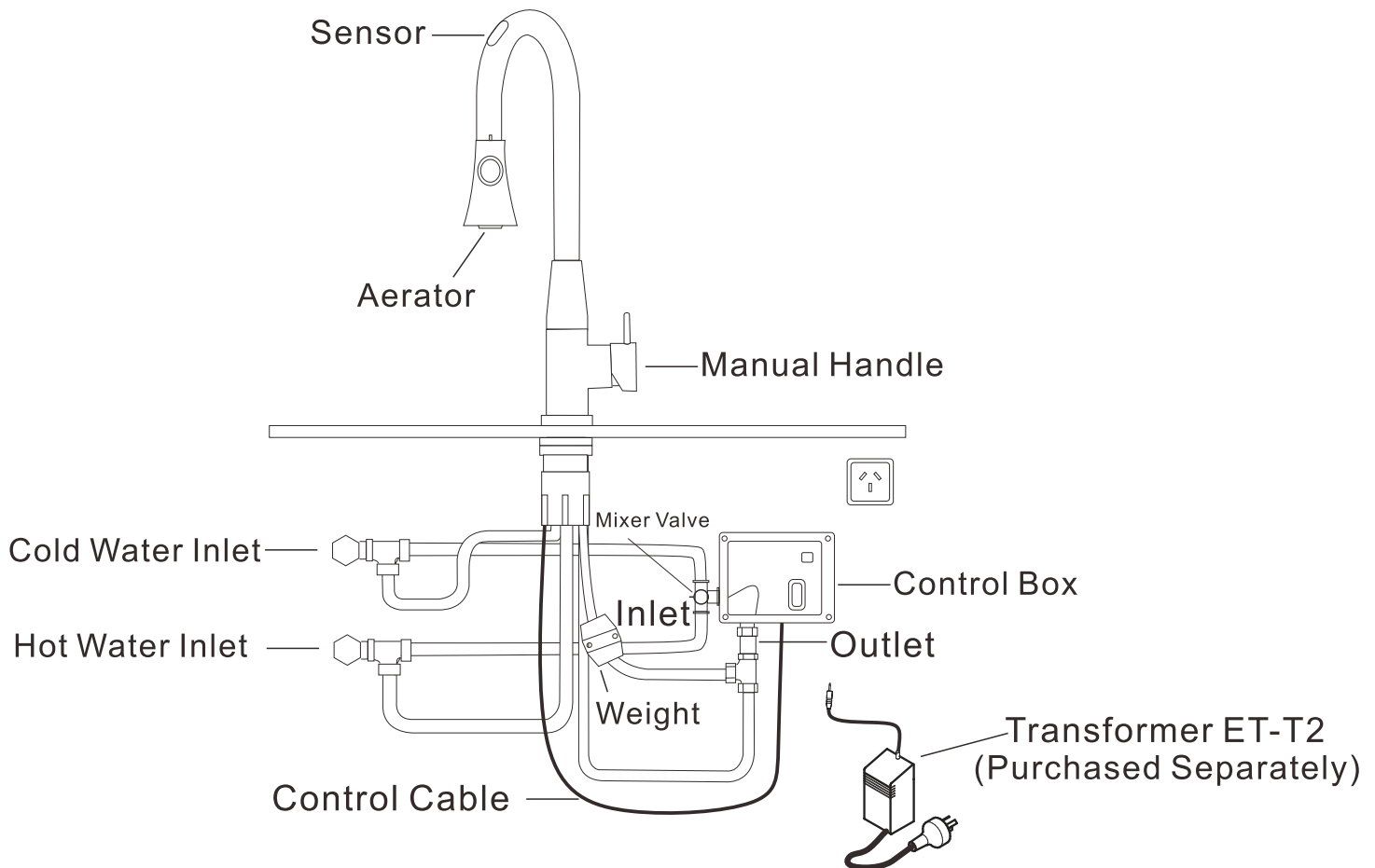
We strongly recommend that you use a qualified and registered plumber and electrician.

Note: Always flush pipe work before installation.
If using DC (battery only) we recommend installing long life batteries. (back up only batteries are supplied)

TECHNICAL SPECIFICATION

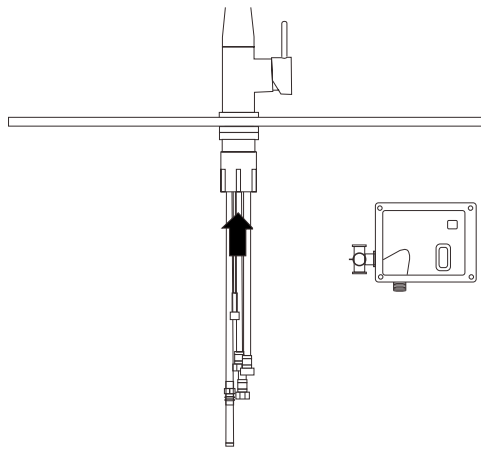
Function	Elite Kitchen Mixer Bench Mounted
Power Input	AC 220-240V (50/60 Hz)
Power consumption	<0.3MW
Water Pressure	100kPa-500kPa
Inlet/outlet Diameter	15mm ½ G
Detection zone	Automatic
Confirmation time	1 second

COMPONENT



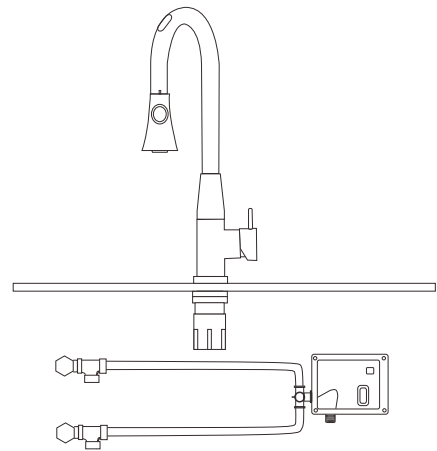
Attention:
Hold the plug not the wire to connect and dis-connect and make sure the pins align to the holes in the right position.

1



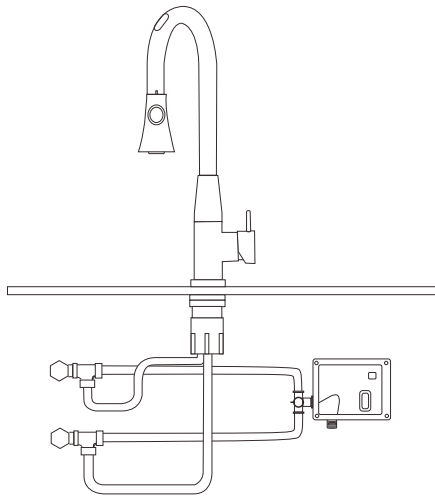
Tighten the fixing nut to secure tap to bench top(do not over tighten as this may damage the bench top). Connect the mixer valve to inlet of control box and fix control box on the wall. (Make sure all hoses and cable can reach control box location)

2



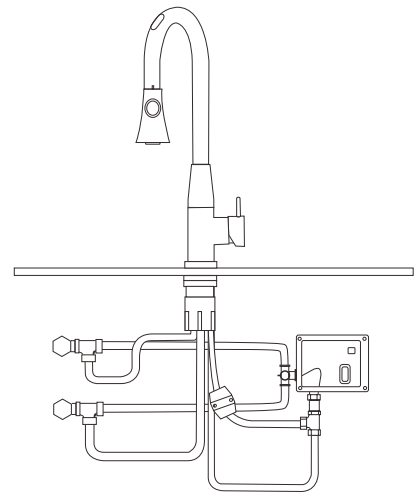
Attach angle valves to Hot and Cold water feeds. Attach T-fitting to angle valves. Connect hot water hose(red) and cold water hose(blue) from T-fitting to mixer valve.

3



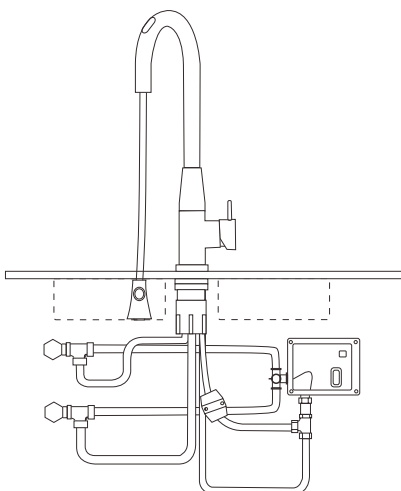
Connect hot water hose(red) and cold water hose(blue) from tap body to T-fitting.

4



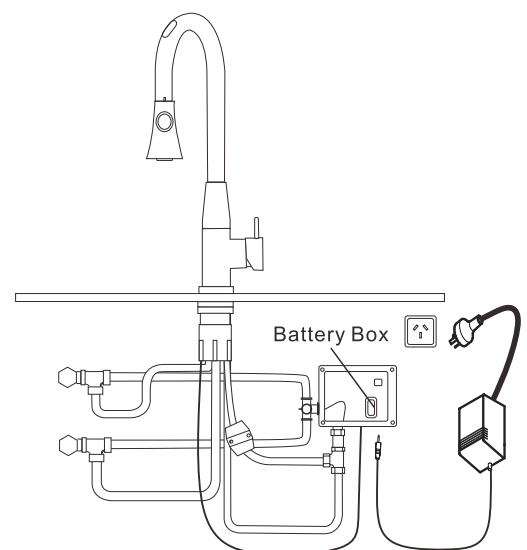
Connect grey hose sprayer to T-fitting with blue check valve. Connect water supply hose(red&blue) from tap body to T-fitting then connect T-fitting to outlet of control box.

5



Pull the tap head into sink and fix the weight on the grey hose. Adjust the weight position so the hose stops where required.(only tighten the weight till it grips the hose)

6



Connect the blue sensor cable from the tap body to the control box. Install back up Batteries and plug into mains power.

TROUBLE SHOOTING

No water out	Poor connection of transformer Water supply turned off Dirt in the filter Water pressure to low	Check connections Check Supply Clean the filter Raise the pressure
Water will not turn off	Dirt on the sensor window	Clean the sensor
Too little water flow	Water supply is turned down The filter is too dirty Water pressure is too low	Adjust water supply Clean the filter Raise the pressure
Too much water flow	Water pressure is too high	Adjust pressure
The indicator light is not on	The light is broken The circuit board is wet or signal line is wet Poor connection of transformer	Change the light or circuit board Dry out Check connections
Inlet filter cleaning	Control box has a filter on the inlet	Remove filter and wash out any obstructions

AFTERCARE

Whilst advanced plating techniques are used in the manufacture of this product, the surface will be affected if cleaned incorrectly.

Surfaces should be maintained using a clean damp cloth, no abrasive agents or materials should be used or come into contact with the surface finish, or this will invalidate your guarantee.

Please contact manufacturer if required

Australia: 1300 530 883

New Zealand: 0800 2 ENVIRO

This Enviro-Tech elite tap ware is manufactured strictly to adhere to the ISO9001 standard, WaterMark certification and WELS standards.

Enviro-tech has the right of updating the product technology.