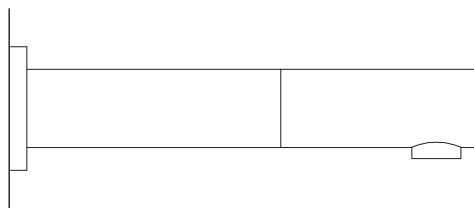




# **INSTALLATION INSTRUCTIONS**

## **ELITE WALL MOUNTED SENSOR TAP**

### **ET2-0L20**



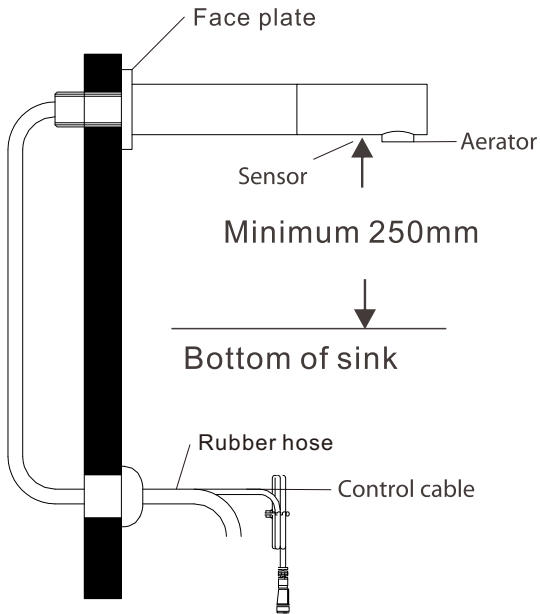
**Thank you for purchasing this Enviro-Tech product**



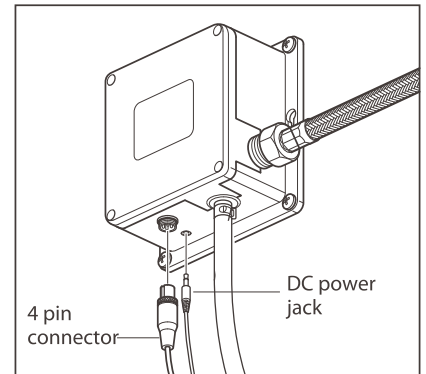
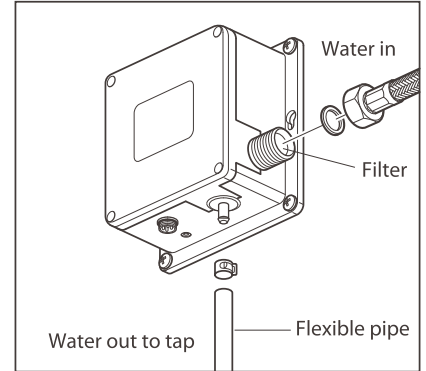
# COMPONENTS

## WALL MOUNTED

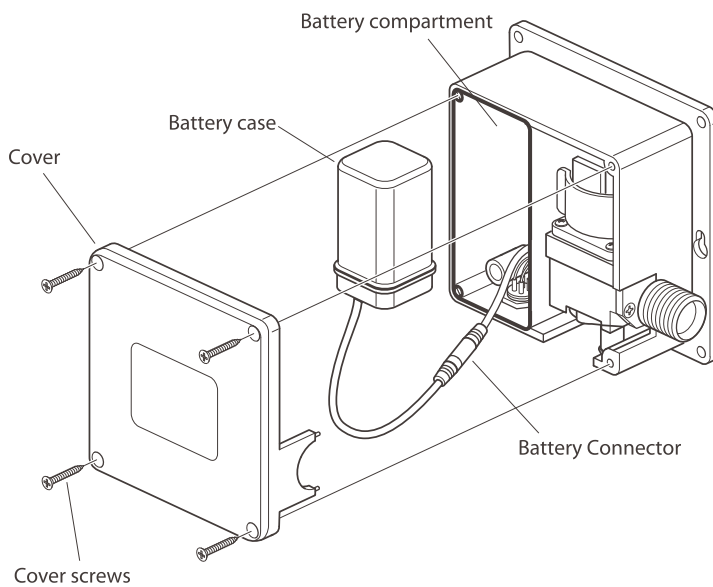
NOTE: DO NOT FIX THE CABLE.  
NOTE: NOT SUITABLE FOR INSTALLATION  
WITH STAINLESS STEEL  
BASINS/ENVIRONMENTS.



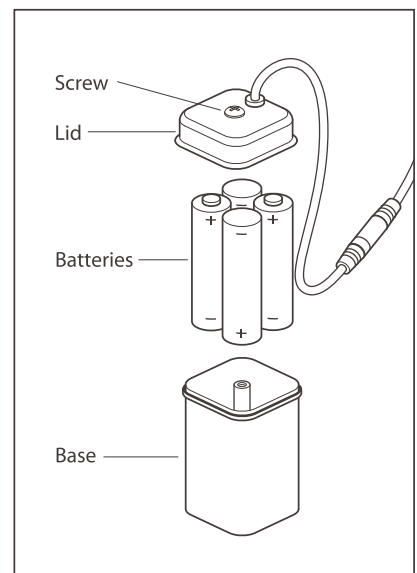
## CONTROL BOX



## CONTROL BOX PARTS



## BATTERY BOX PARTS



# INSTALLATION INSTRUCTIONS ELITE WALL MOUNTED SENSOR TAP

We strongly recommend that you use a qualified and registered plumber and electrician. You must ensure that all pipe work is flushed adequately, particularly in new builds or where lines have been disrupted. Components of sensor taps are particularly susceptible to debris and will require more thorough flushing than a standard plumbing fixture. Failure to flush lines adequately will result in blocked or leaking valves (check/solenoid) or a dripping tap soon after installation and is not covered by the Enviro-Tech warranty.

**Must be installed so sensor is at least 250mm above the bottom of basin.**

- > Push rubber hose and control cable through hole in wall or S/S wall mounting plate and tighten nut.
- > Make sure wall fixing point for tap is solid, must be access to tighten nut securely from behind so tap cannot be twisted.
- > Insert batteries into control box. (See drawing)
- > Screw control box to wall or within wall cavity (ensuring access) within the length of the rubber hose and control cable.
- > Connect rubber hose from tap to outlet of control box, squeeze clamp over hose and slide pipe onto outlet of control box then release clamp to secure.
- > Connect water feed to inlet on control box.
- > Connect transformer to control box. (If mains powered)

## TECHNICAL SPECIFICATION

Function	Elite Wall Mounted Sensor Tap
Power Input	DC: 6V (4X1.5V AA alkaline batteries) AC:220-240V (50/60Hz)
Power Consumption	<0.3MW
Power Supply	4 AA alkaline batteries or transformer
Water Pressure	100kPa-500kPa
Inlet/outlet Diameter	15mm 1/2G
Detection Zone	Self-adjusting Sensor must be a minimum of 250mm above bottom of basin.
Confirmation Time	1 second

## TROUBLE SHOOTING

Problem	Possible Cause	Solution
No water out or water will not turn off	<u>Most common:</u> No water supply/No Power  User error  Water pressure too low Blocked filter Sensor obstructed	<ul style="list-style-type: none"><li>• Check water and power supply, change batteries.</li><li>• Unplug all cables, leave unplugged for 5 minutes and reconnect everything carefully.</li></ul> Note: Sensor sits back from water outlet, ensure hands are placed in sensor field. Raise water pressure Clean filter Clean sensor

# TROUBLE SHOOTING CONTINUED

Problem	Possible Cause	Solution
Too little water flow	Low water pressure/pressure is turned down The filter or solenoid is dirty	Adjust/raise the pressure Clean filter. Clean/replace solenoid
Too much water flow	Water pressure is too high	Adjust pressure
Indicator light is off/flashing	Batteries are flat Bad connection	Replace batteries Check connections
Tap is self-activating	This model has a downward facing sensor and is more susceptible to reflective light. It detects the bottom of the basin and adjusts itself for best fit, reflective light can interfere with this process and cause it to self-activate.	<ul style="list-style-type: none"><li>• Ensure tap has been installed so sensor is at least 250mm above the bottom of the basin.</li><li>• Sensors may need to be adjusted as part of the installation process – contact Enviro-Tech on the numbers below for detailed instructions on how to adjust the sensors.</li></ul>

**For detailed troubleshooting advice, see the Installation page of our websites [enviro-tech.com.au](http://enviro-tech.com.au) or [enviro-tech.co.nz](http://enviro-tech.co.nz) or call us on the numbers below.**



## WARRANTY

Enviro-Tech warrants that all tap bodies and standard chrome finish be guaranteed for 5 years from the date of purchase. All non-standard finishes are guaranteed for 2 years from the date of purchase with a 12 month repair or replacement warranty on all other products and parts. For full details of the warranty conditions, see the Warranty page of our websites.

## AFTERCARE

Whilst advanced plating techniques are used in the manufacture of this product. The surface will be affected if cleaned incorrectly. Surfaces should be maintained using a clean damp cloth, no abrasive agents or materials should be used or come into contact with the surface finish, or this will invalidate your warranty.

This Enviro-Tech product is manufactured strictly to adhere to the ISO9001 standard, WaterMark certification and WELS standards. Enviro-tech reserves the right to update product technology at any time.

Contact Info:

Australia – 1300 530 883 or [info@enviro-tech.com.au](mailto:info@enviro-tech.com.au)

New Zealand – 0800 2 ENVIRO or [info@enviro-tech.co.nz](mailto:info@enviro-tech.co.nz)