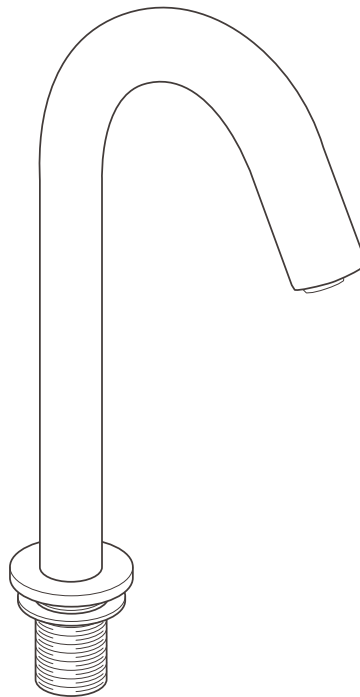




INSTALLATION INSTRUCTIONS

ELITE BENCH MOUNTED SPOUT SENSOR

ET2-0L24.1

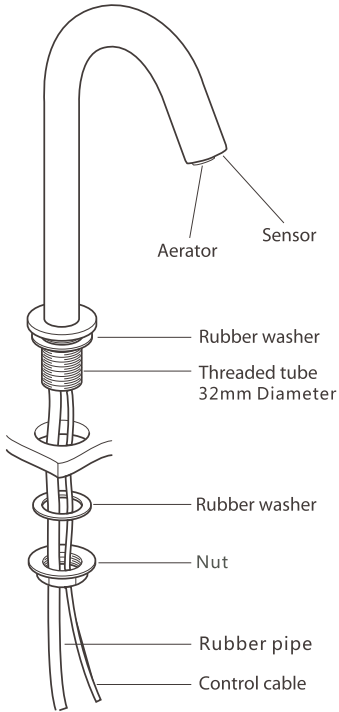


Thank you for purchasing this Enviro-Tech product



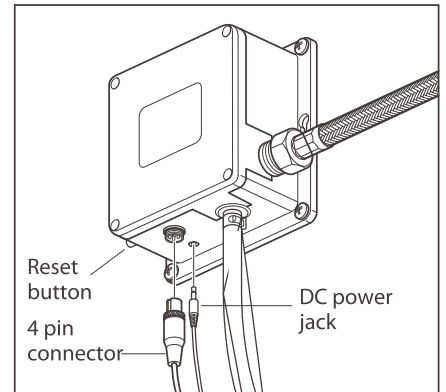
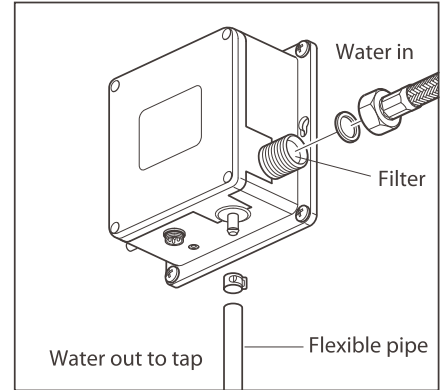
COMPONENTS

BENCH MOUNTED

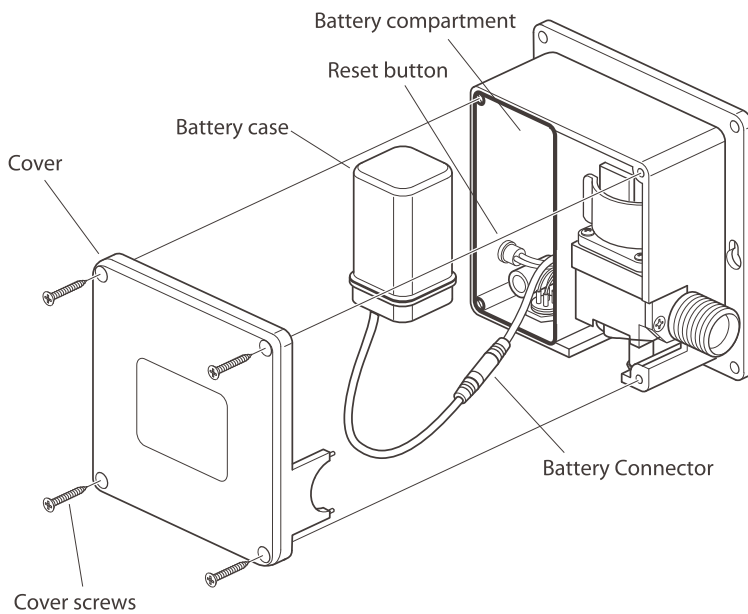


NOTE: DO NOT FIX THE CABLE.

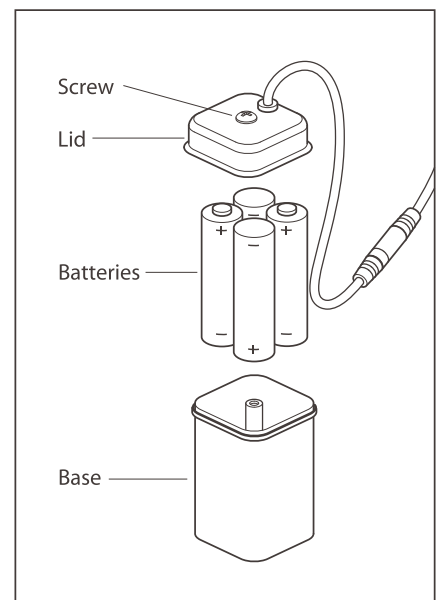
CONTROL BOX



BATTERY BOX PARTS



BATTERY BOX PARTS



INSTALLATION INSTRUCTIONS ELITE BENCH MOUNTED SPOUT SENSOR

We strongly recommend that you use a qualified and registered plumber and electrician. You must ensure that all pipe work is flushed adequately, particularly in new builds or where lines have been disrupted. Components of sensor taps are particularly susceptible to debris and will require more thorough flushing than a standard plumbing fixture. Failure to flush lines adequately will result in blocked or leaking valves (check/solenoid) or a dripping tap soon after installation and is not covered by the Enviro-Tech warranty.

- > Push rubber hose and control cable through hole in basin/bench and tighten nut. (Do not over tighten as this may damage basin/bench top)
- > Insert batteries into control box. (See drawing)
- > Screw control box to wall. (Within the length of the rubber hose and control cable)
- > Connect rubber hose from tap to outlet on control box, squeeze clamp over hose and slide pipe onto outlet on control box then release clamp to secure.
- > Connect water feed to inlet on control box. (If mains powered)
- > When installation is complete, press and hold the red/black reset button on the control box for 3 seconds to allow the sensor to adjust to sink. Ensure nothing is underneath the sensor for 1 minute while it resets.

TECHNICAL SPECIFICATION

Function	Elite Bench Mounted Spout Sensor
Power Input	DC: 6V (4X1.5V AA alkaline batteries) AC:220-240V (50/60Hz)
Power Consumption	<0.3MW
Power Supply	4 AA alkaline batteries or transformer
Water Pressure	100kPa-500kPa
Inlet/outlet Diameter	15mm 1/2G
Detection Zone	Self adjusting
Confirmation Time	1 second

TROUBLE SHOOTING

Problem	Possible Cause	Solution
No water out or water will not turn off	<u>Most common:</u> No water supply/No Power Water pressure too low Blocked filter Sensor obstructed	<ul style="list-style-type: none">• Check water and power supply, change batteries.• Unplug all cables, leave unplugged for 5 minutes and reconnect everything carefully. Raise water pressure Clean filter Clean sensor

TROUBLE SHOOTING CONTINUED

Problem	Possible Cause	Solution
Too little water flow	Low water pressure/pressure is turned down The filter or solenoid is dirty	Adjust/raise the pressure Clean filter. Clean/replace solenoid
Too much water flow	Water pressure is too high	Adjust pressure
Indicator light is off/flashing	Batteries are flat Bad connection	Replace batteries Check connections
Intermittent self-activation	Reflective light – the sensor needs to be reset. (May need to perform the reset more than once)	<ul style="list-style-type: none">• Locate the red/black reset button on the control box• Push and hold for 3 seconds ensuring that nothing is underneath the sensor. N.B. Sensor Field <u>MUST</u> be kept clear for a full 60 seconds. Once the 60 seconds is up, test to see if tap is working. If not repeat all steps again.• If problem persists – call us on the numbers below.

For detailed troubleshooting advice, see the Installation page of our websites enviro-tech.com.au or enviro-tech.co.nz or call us on the numbers below.



WARRANTY

Enviro-Tech warrants that all tap bodies and standard chrome finish be guaranteed for 5 years from the date of purchase. All non-standard finishes are guaranteed for 2 years from the date of purchase with a 12 month repair or replacement warranty on all other products and parts. For full details of the warranty conditions, see the Warranty page of our websites.

AFTERCARE

Whilst advanced plating techniques are used in the manufacture of this product. The surface will be affected if cleaned incorrectly. Surfaces should be maintained using a clean damp cloth, no abrasive agents or materials should be used or come into contact with the surface finish, or this will invalidate your warranty.

This Enviro-Tech product is manufactured strictly to adhere to the ISO9001 standard, WaterMark certification and WELS standards. Enviro-tech reserves the right to update product technology at any time.

Contact Info:

Australia – 1300 530 883 or info@enviro-tech.com.au

New Zealand – 0800 2 ENVIRO or info@enviro-tech.co.nz