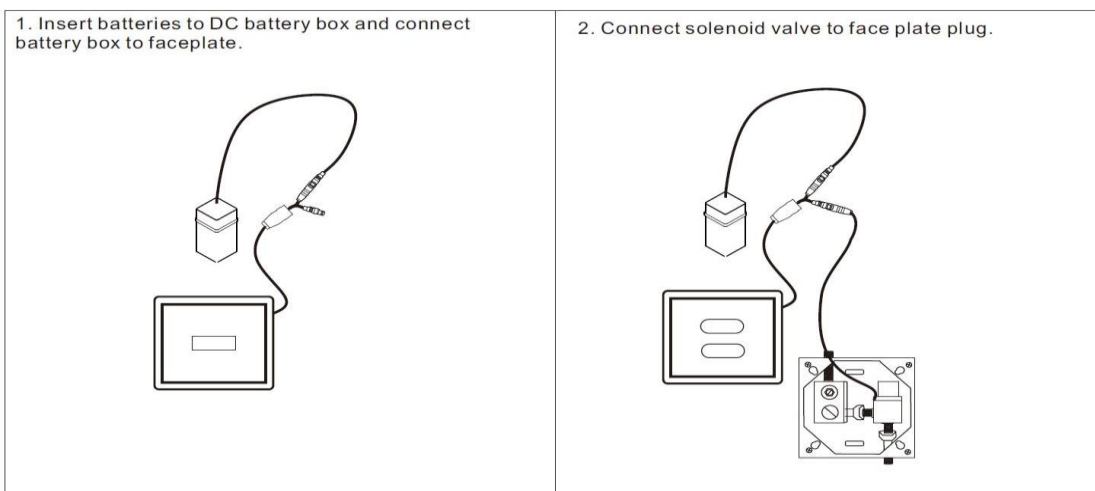


ET-SH INFRARED SHOWER VALVE TROUBLE SHOOTING – COMMON ISSUES:

Issue - No Water Out or Water Running On

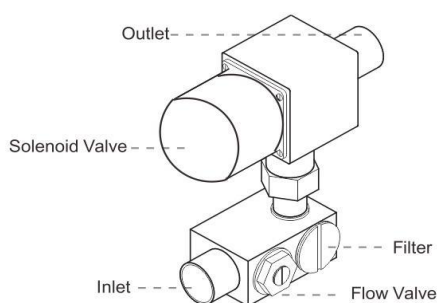
- CHECK WATER SUPPLY;
- CHECK BATTERIES ARE INSTALLED CORRECTLY AND REPLACE WITH NEW ONES - NOTE – WATER CONSTANTLY RUNNING ON MEANS NOT ENOUGH POWER TO SOLENOID, EITHER POWER SUPPLY ISSUE OR INCORRECT CONNECTIONS. (SEE DIAGRAM BELOW)
- UNPLUG ALL CABLES, LEAVE UNPLUGGED FOR 5 MINUTES (THIS GIVES THE ELECTRONICS A CHANCE TO RESET) BEFORE RECONNECTING EVERYTHING CAREFULLY (SEE DIAGRAM BELOW);
- CHECK SENSOR WINDOW IS CLEAN AND UNOBSTRUCTED;
- IF RED LIGHT IS INDICATING AND YOU CAN HEAR THE SOLENOID CLICKING BUT NO WATER IS COMING OUT – VALVE IS BLOCKED OR OBSTRUCTED;
- CLEAN INLET FILTER ON VALVE AND RE-TEST.



NOTE: If red light is on or flashing, this indicates that unit is functioning correctly, although there may not be sufficient power to activate the solenoid. A flashing red light indicates that batteries are low and need replacing.

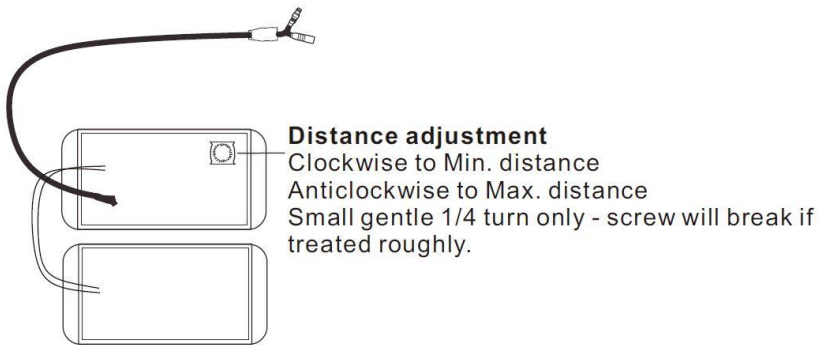
Issue – Not Enough or Too Much Water Flow

- CHECK AND ADJUST YOUR WATER PRESSURE AS APPROPRIATE – RECOMMENDED MINIMUM PRESSURE IS 350kPA;
- THE FILTER/SOLENOID MAY BE BLOCKED, CLEAN AND RE-TEST;
- FLOW VALVE MAY REQUIRE ADJUSTMENT – FLOW CAN BE ADJUSTED WITH FLOW VALVE SCREW ON SOLENOID VALVE, NEXT TO THE INLET – SEE DIAGRAM BELOW.



Issue – Sensing Distance Not Adequate

- ADJUSTMENTS TO THE SENSOR DISTANCE MAY REQUIRE SET-UP/ADJUSTMENT (SEE DIAGRAM BELOW) **IMPORTANT - CARE NEEDED – ADJUSTMENT SCREW CAN BREAK IF MISTREATED**



Issue – Intermittent or Self-Activation

- THERE IS A CONFIRMATION OF 5 SECONDS – BODY NEEDS TO REMAIN IN FIELD FOR 5 SECONDS PRIOR TO ACTIVATION;
- THERE WILL BE A DELAY OF 10 SECONDS AFTER USE BEFORE SHOWER CAN BE REACTIVATED;
- CAN BE CAUSED BY STRONG OR DIRECTIONAL LIGHT – THIS MAY BE MITIGATED BE ADJUSTING THE SENSOR DISTANCE – SEE DIAGRAM ABOVE;

All infra-red technology can be affected by strong or directional light, reflective surfaces or high-vis clothing. This is due to environmental factors and is not a product fault. Consider making changes to the lighting and/or fittings used in the bathroom to rectify this issue.

For further information and advice - contact us on:
1300 530 883 or e-mail info@enviro-tech.com.au