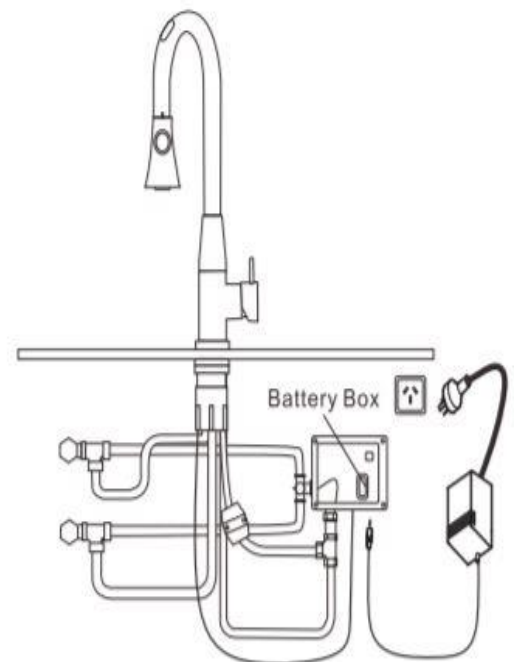


## Specification Summary – ET2-KM

- 5 Star WELS
- Watermark
- Standard kitchen mixer with optional sensor function
- High arch swivel spout highly suitable for Commercial or Domestic use
- Height approx. 474mm from base of tap to top of arch
- Clearance of approx. 229mm from outlet to base of tap
- Basin or Deck mounted
- Normally suitable for use with stainless steel sinks/troughs
- High quality brushed stainless-steel construction
- Hygienic no touch swipe on/off sensor activation
- Sensor confirmation time of 1-3 seconds
- Auto off after 1 minute if sensor obstructed or if 'swipe off' not completed
- Temperature control mixing valve for sensor operation
- Battery only or mains power with battery back-up
- Equal mains water pressure for hot and cold feeds required for best results. Between 350-500kPa (flow will be less than standard mixer, only 6L per minute)
- Water Inlet/Outlet – 15mm ½" G
- Water temperature - 1-55°
- Transformer cable (if used) approx. 1M



### Contact Us:

Australia – 1300 530 883 or [info@enviro-tech.com.au](mailto:info@enviro-tech.com.au)  
 New Zealand – 0800 2 ENVIRO or [info@enviro-tech.co.nz](mailto:info@enviro-tech.co.nz)