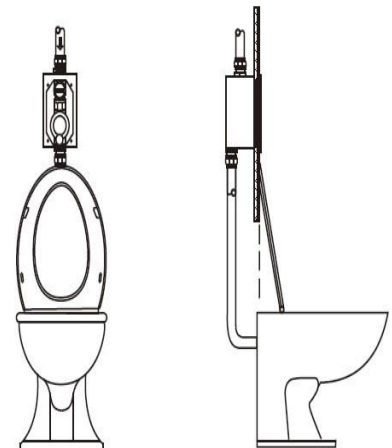
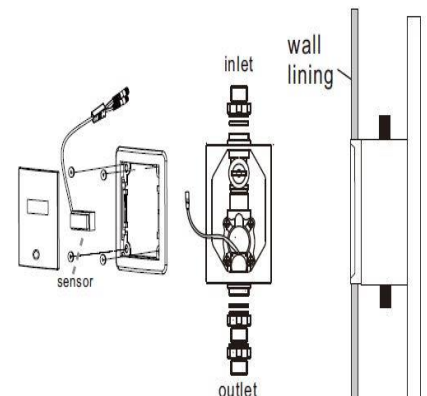


Specification Summary – ET4-7

- Infra-red sensor operated toilet flush valve
- 4 Star WELS model (ET4-7.4)
- 3 Star WELS model (ET4-7.3)
- Watermark
- Highly suitable for Commercial use
- Mains pressure flush valve – no need for cistern
- 4 Star WELS - half flush of 2.8L and full flush of 4.5L
- 3 Star WELS – half flush of 3L and full flush of 6L
- Stainless Steel Faceplate
- Vandal resistant
- PWD toilet compatible
- Hygienic no touch operation
- Manual override button
- Easy front panel access for maintenance
- Valve box is recessed into wall cavity – requires approx. 180mm x 130mm x 110mm, can be rear or side fixed
- Only front panel is visible after install (133mm x 179mm)
- Solid brass position valve with integrated filter
- Minimum dynamic flushing pressure of 350-400kPa is crucial for effective flush - maximum of 500kPa
- Sensor to be positioned 55mm above raised toilet seat
- Detection zone of 750-800mm (adjustable)
- Auto hygiene flush every 24hrs when not used
- Battery only or mains power with battery back-up
- Flashing LED when batteries need changing (battery only model)
- Water Inlet and Outlet – 25mm 1" G
- Water temperature - 1-50°
- Transformer cable (if used) approx. 1M

FUNCTION:

- User enters detection zone – unit will initialise
- If user present less than 90 seconds – half flush will activate
- If user present more than 90 seconds – full flush will activate
- Confirmation time of 5 seconds after flush – unit will not flush immediately to allow time for user to exit area
- Unit will re-initialise when new user detected
- Unit is fully automatic (not swipe flush) – unit will flush if user moves out of detection zone. User may press manual override button to enhance comfort



Contact Us:

Australia – 1300 530 883 or info@enviro-tech.com.au
 New Zealand – 0800 2 ENVIRO or info@enviro-tech.co.nz